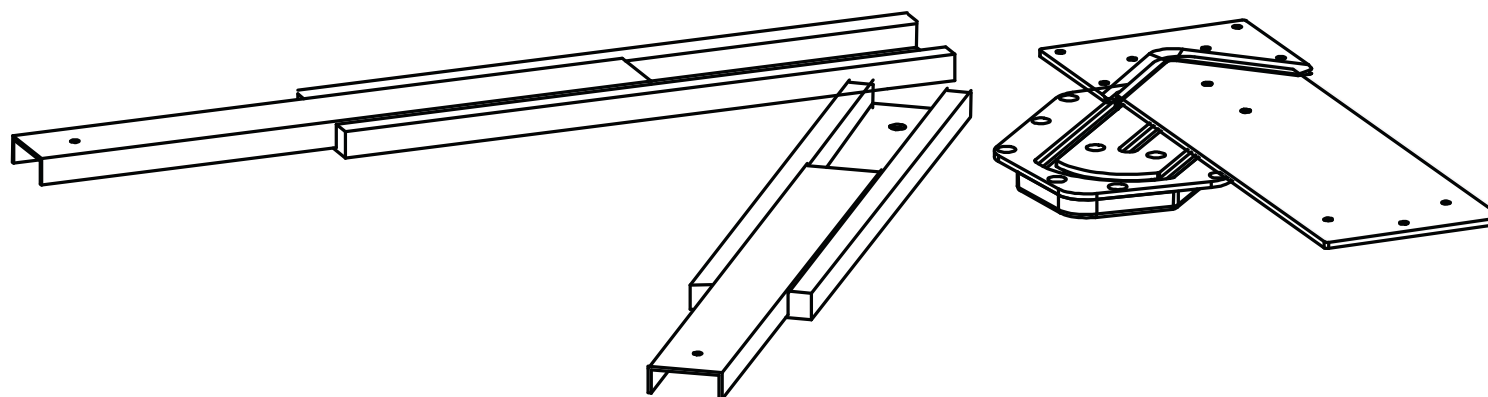


# Roto

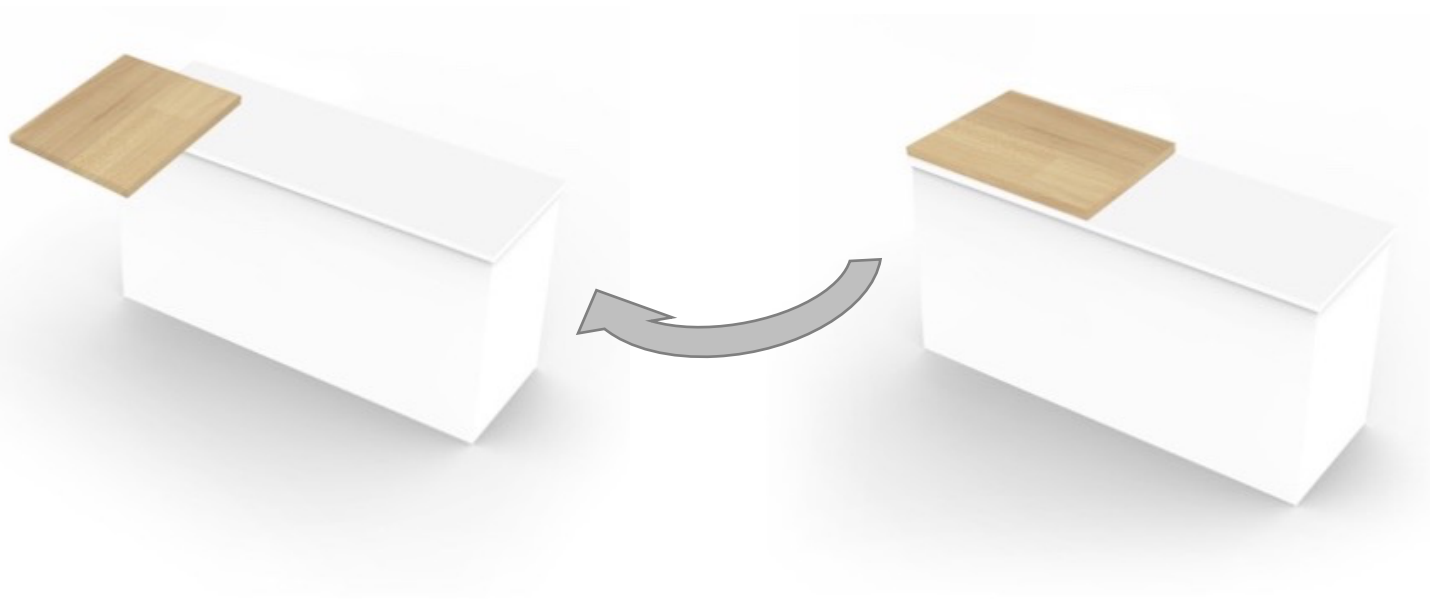
Installation instruction for *left opening*

Article no 1020



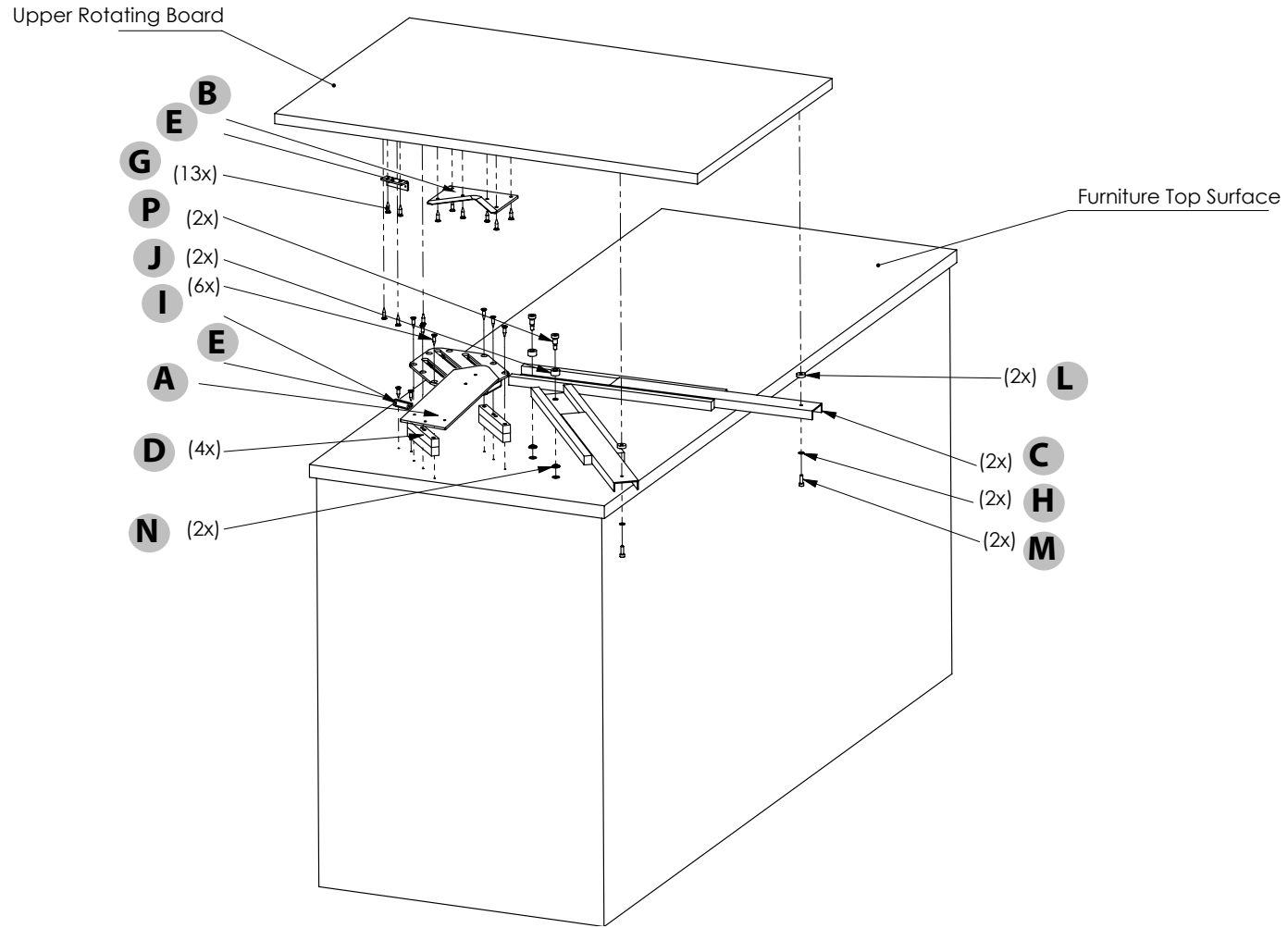
Roto can be installed in two ways, left or right opening: your island either opens to the left or right. Please choose your preferred installation option for left or right accordingly before continuing.

This manual **covers installation for left opening** only.



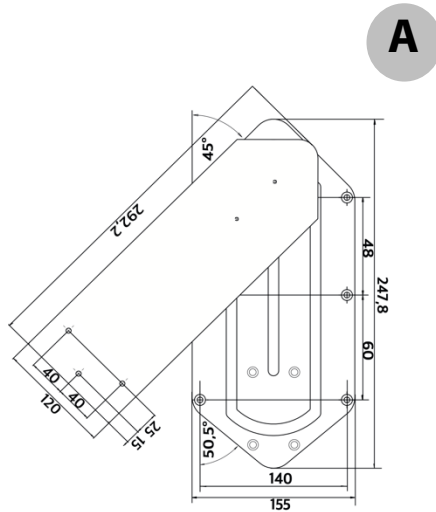
For right opening please use the adequate installation manual for right opening.

# Overview

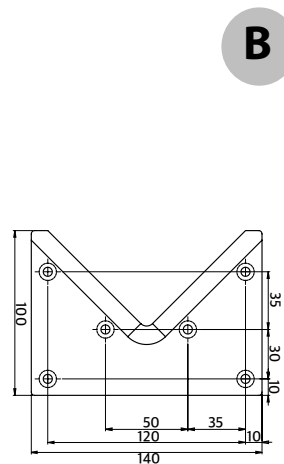


## A) Included Parts and Technical Details

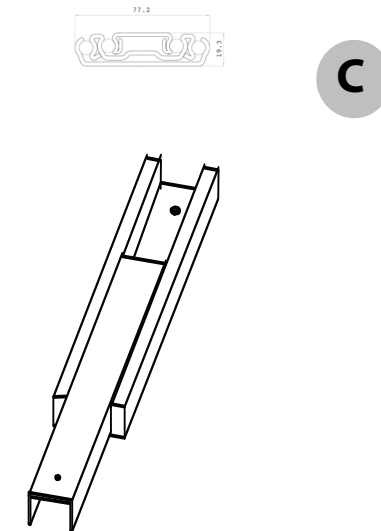
1x CM3040 rotation mechanism



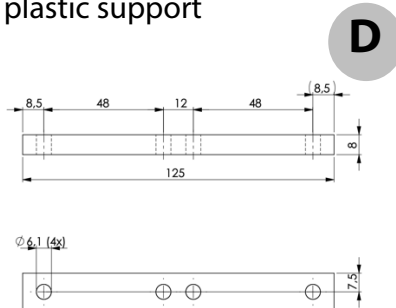
1x locking plate



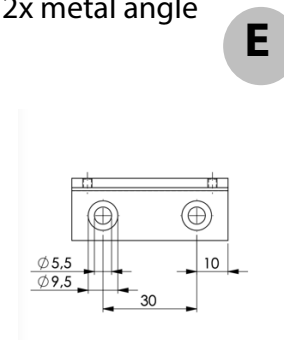
2x extension slides



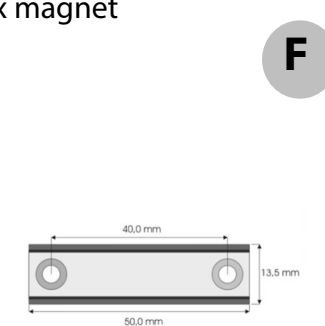
4x plastic support



2x metal angle



1x magnet



13x 5x 20 mm wood screws



**G**

6x 5x 30 mm wood screws



**I**

2x M3x 8 mm screws with bolt



**K**

2x cylinder head threaded screw M5x 16



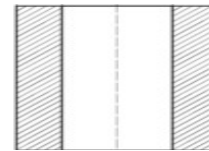
**M**

2x plastic washer



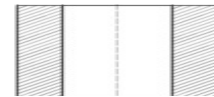
**H**

2x plastic spacer D16x 9



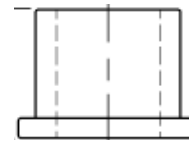
**J**

2x plastic spacer D16x 5



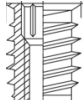
**L**

2x sleeve bearing with flange



**N**

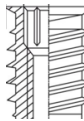
2x threaded insert M5x 12



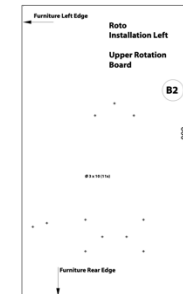
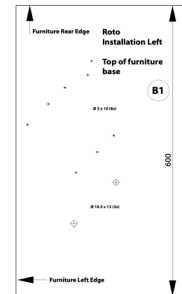
2x threaded shoulder bolt screw M6x 12



2x threaded insert M6x 12



Drilling plans B1 and B2



### **Technical Details**

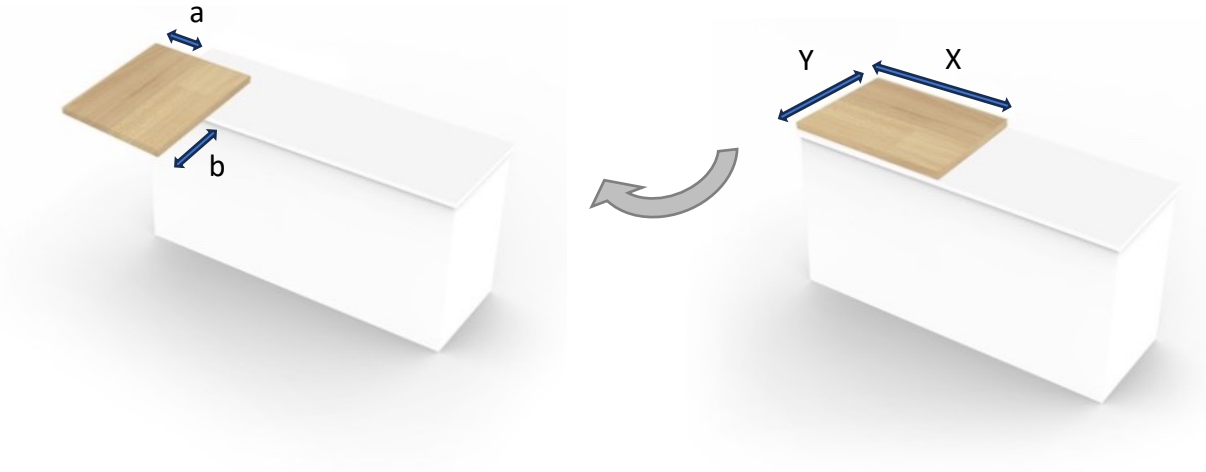
Applicable width of desk or furniture: 600, 650 and 700 mm

Minimum board thickness: 20 mm

Loading weight (open): 40 kg maximum

Gap between upper board and furniture top surface: 25 mm (can be covered by a cover strip or similar of 8 mm thickness)


## B) Dimensions and Measurements

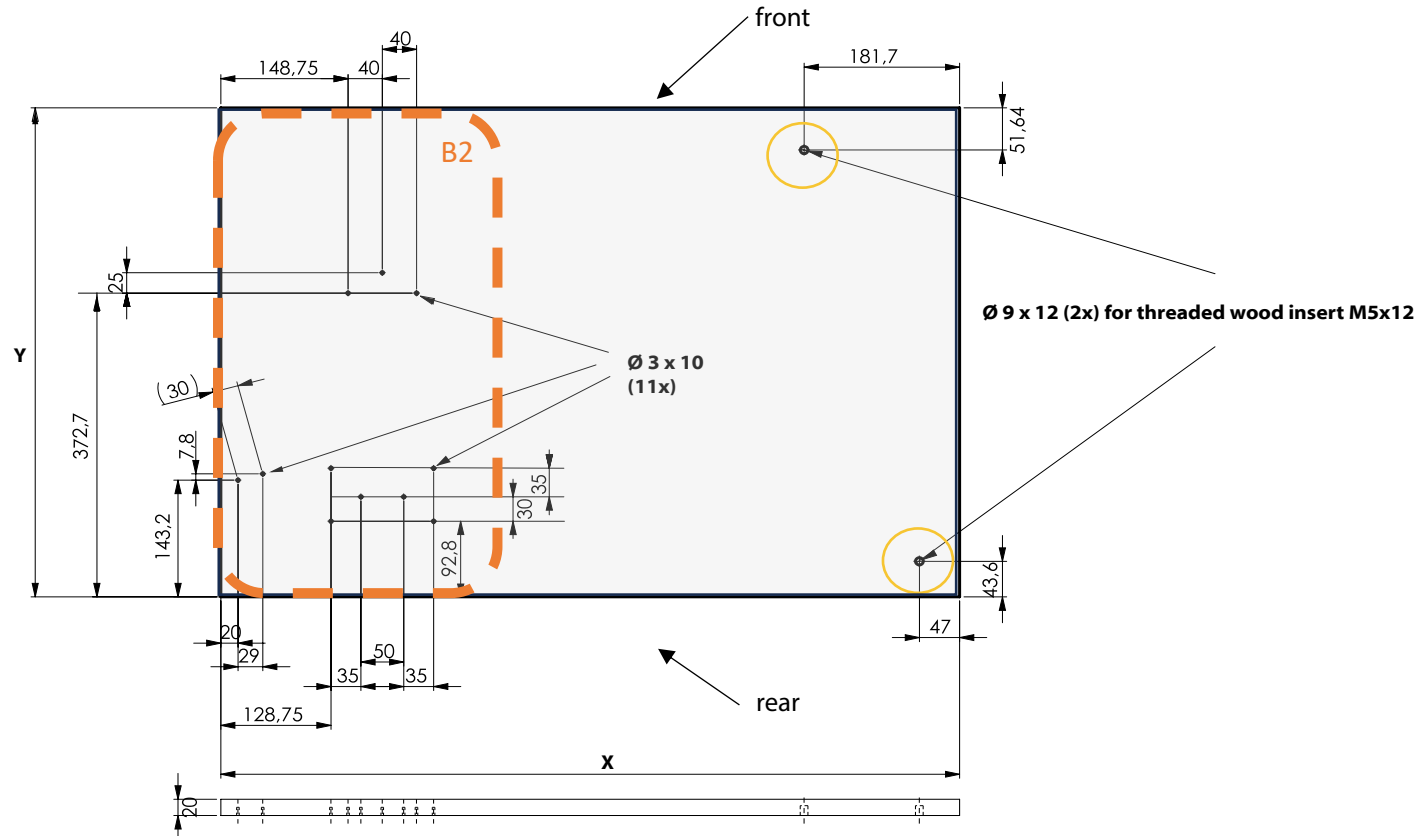


<b>Furniture width (Y)</b>	<b>Board Length (X)</b>	<b>Overhang Side (a)</b>	<b>Overhang Front (b)</b>
600 mm	863.5 mm	334 mm	350 mm
650 mm	913.5 mm	384 mm	350 mm
700 mm	963.5 mm	434 mm	350 mm

## C) Preparation of Installation (*Left Installation*)

### Upper rotation board

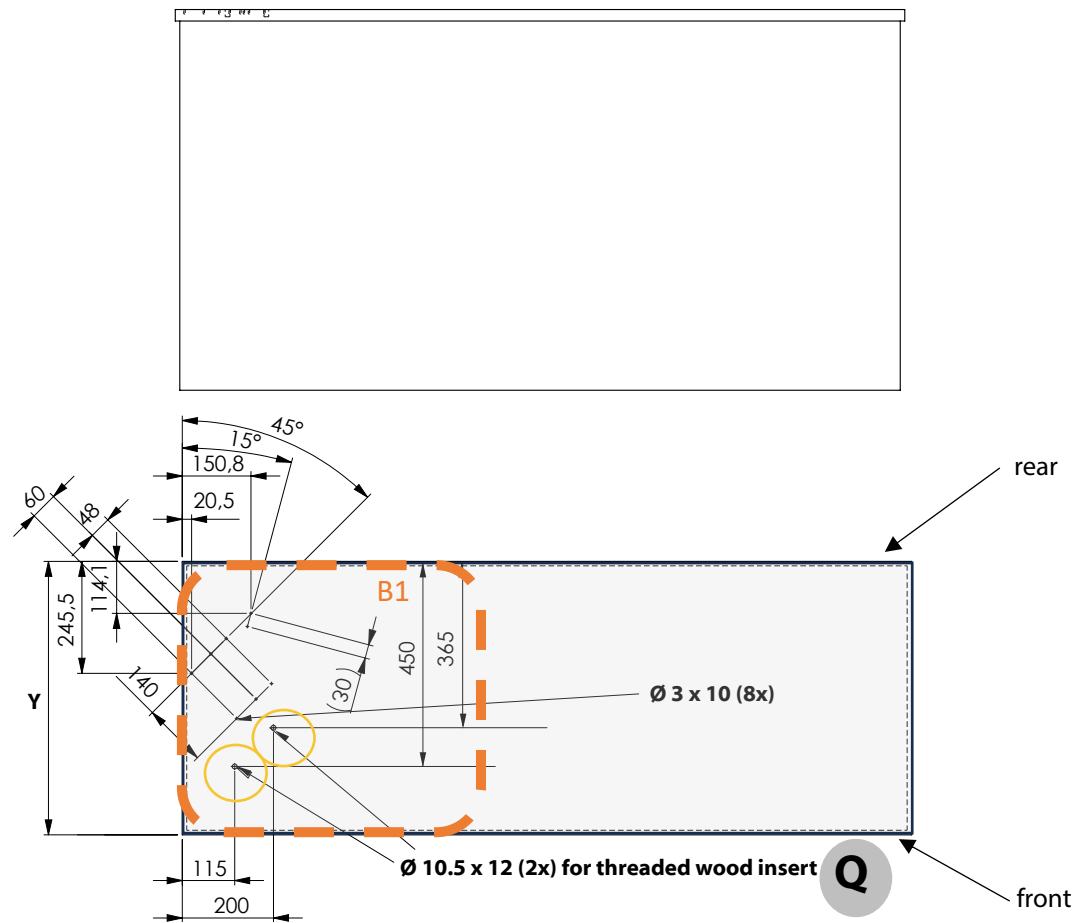
Drill holes according to the drawing and measurements below. Please use the drilling plan B2 provided with your product for all the holes within the dashed areas. Make sure to align the plan with the rear and the left side as indicated on the plan. Be advised that the drill plan might have not the same width as your furniture. After drilling all the holes, install threaded wood inserts M5x12 at marked location :



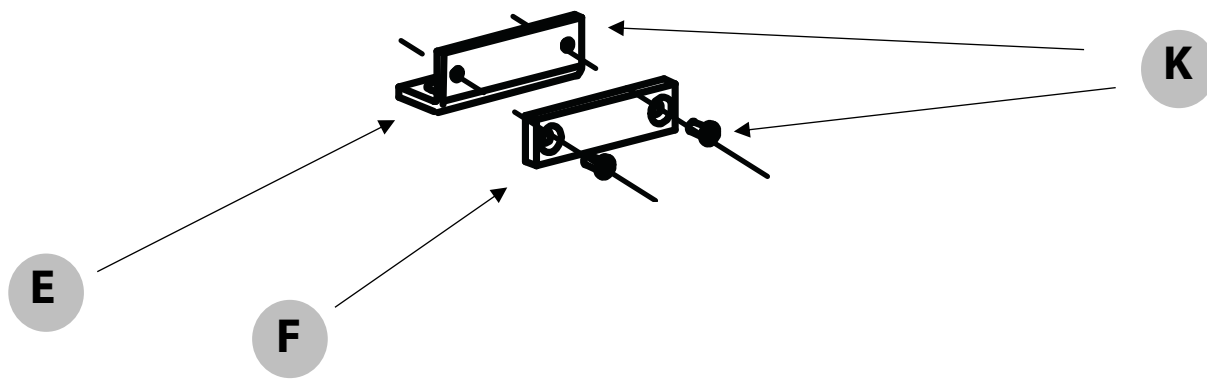


## Top of furniture base

Drill holes according to the drawing and measurements below. Please use the drilling plan B1 provided with your product for all the holes within the dashed areas. Make sure to align the plan with the rear and the left side as indicated on the plan. Be advised that the drill plan might have not the same width as your furniture. After drilling all the holes, install threaded wood inserts M6x12 at marked location **Q**:

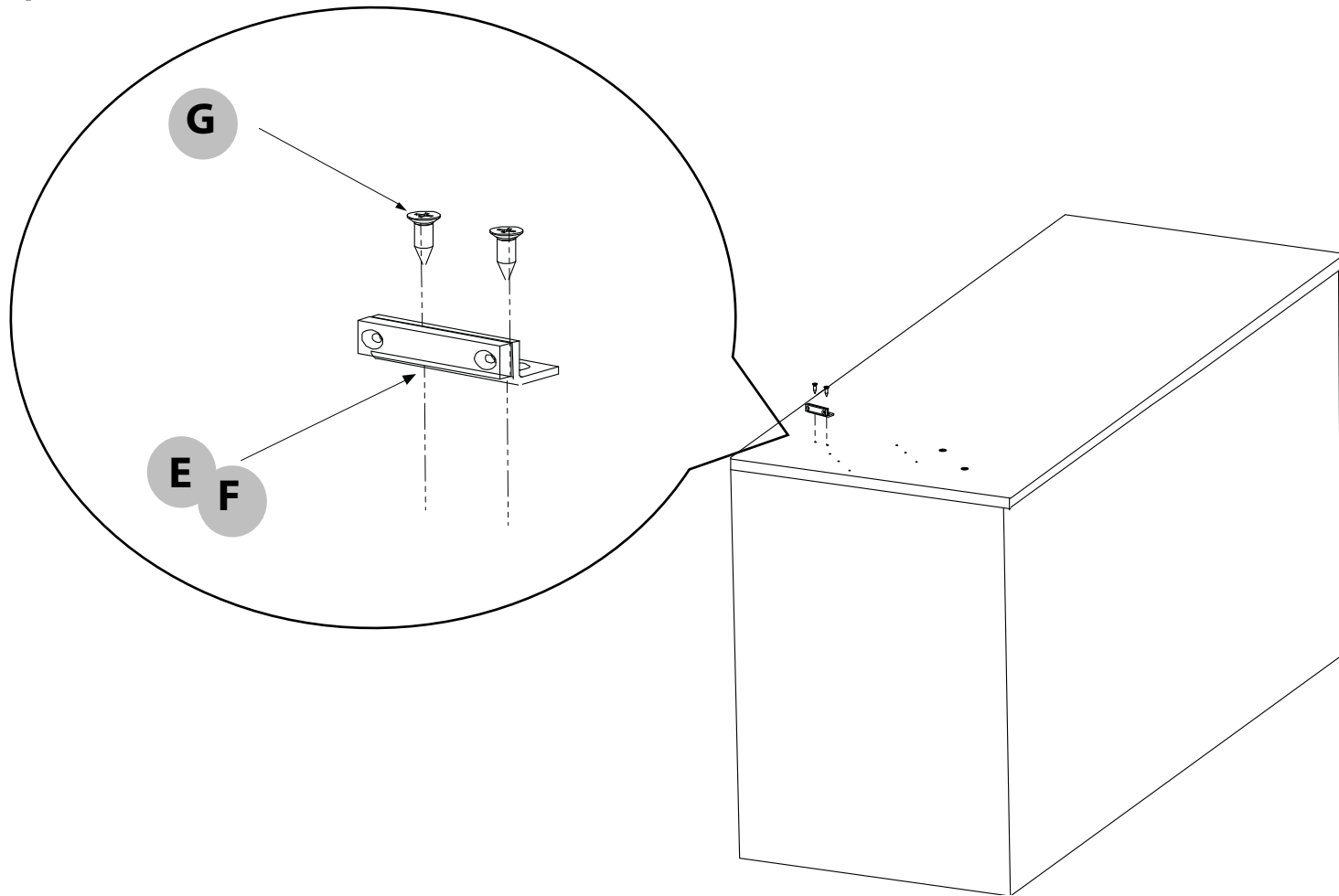


## Fix magnet onto metal angle

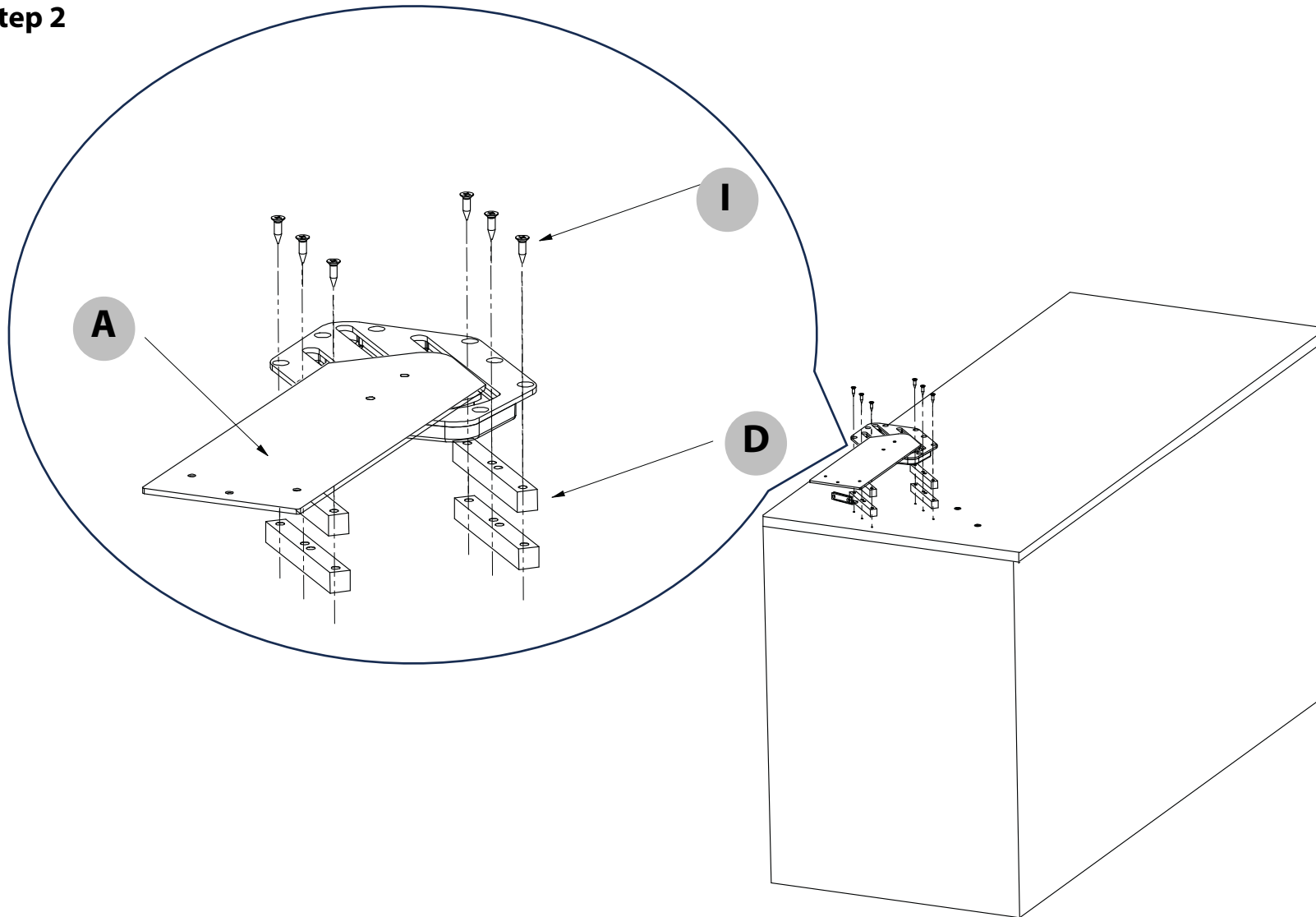


## D) Installation Steps (*Left Installation*)

### Step 1

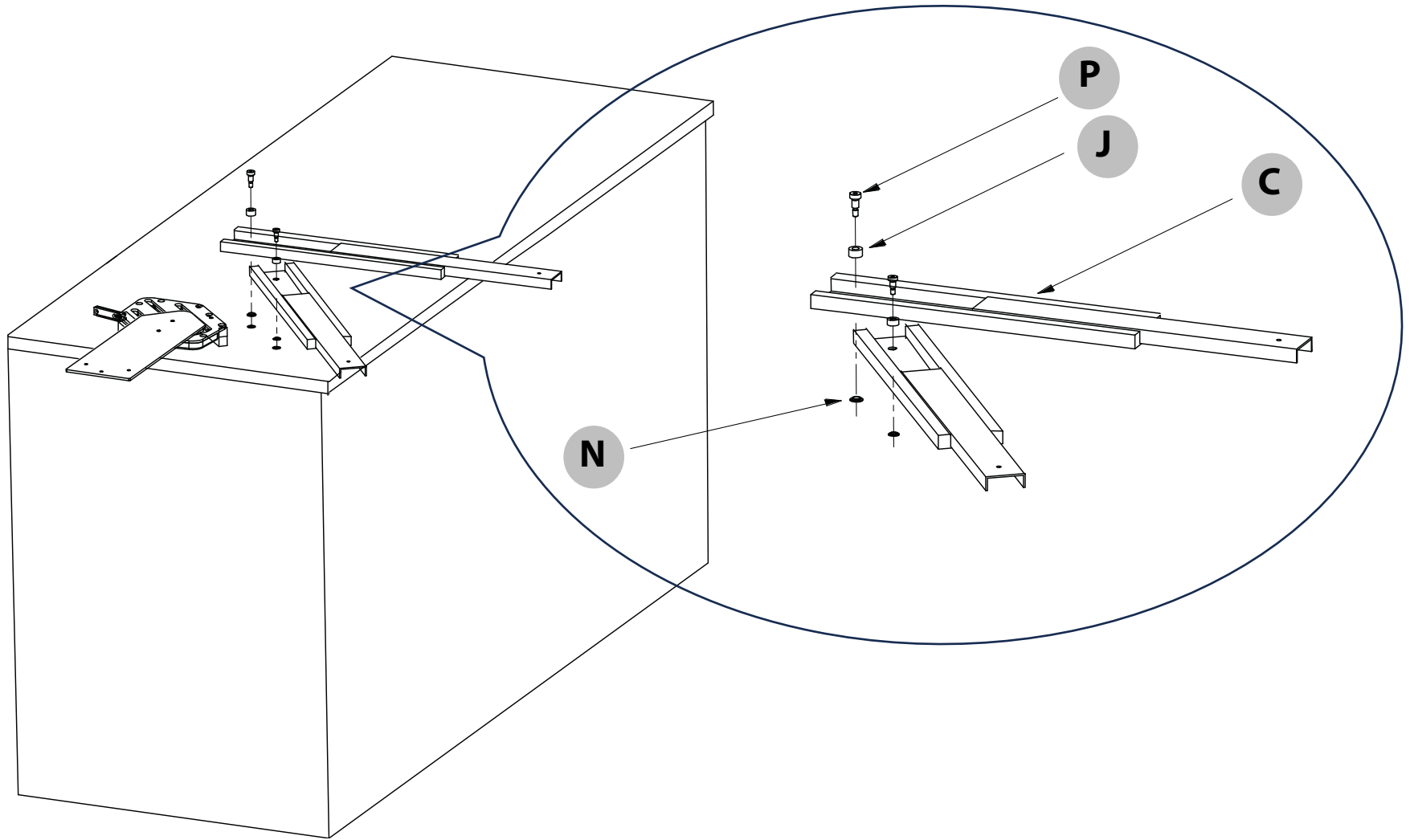


## Step 2

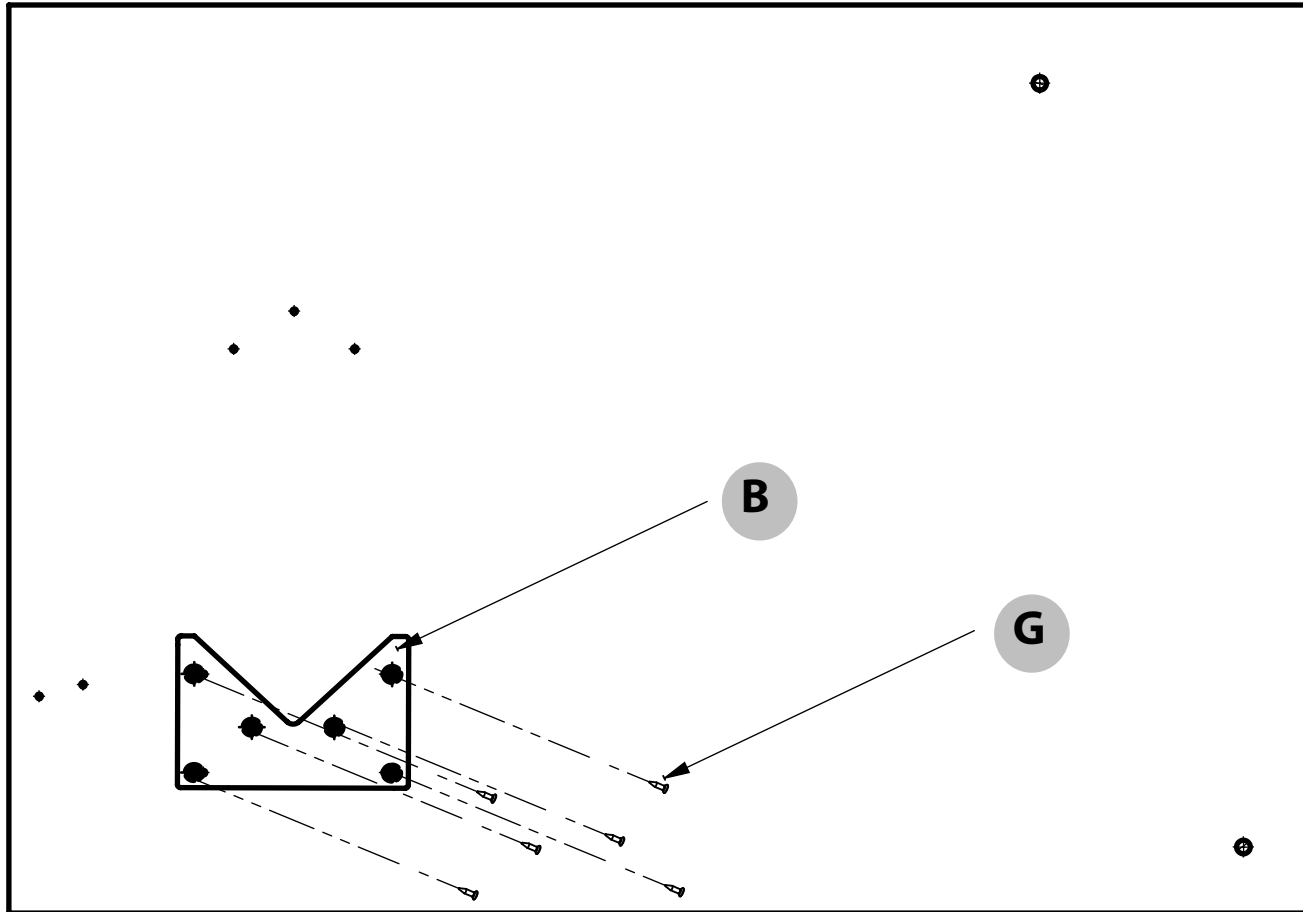


In order to reach all screw holes, move the upper moving plate of the mechanism back and forth.

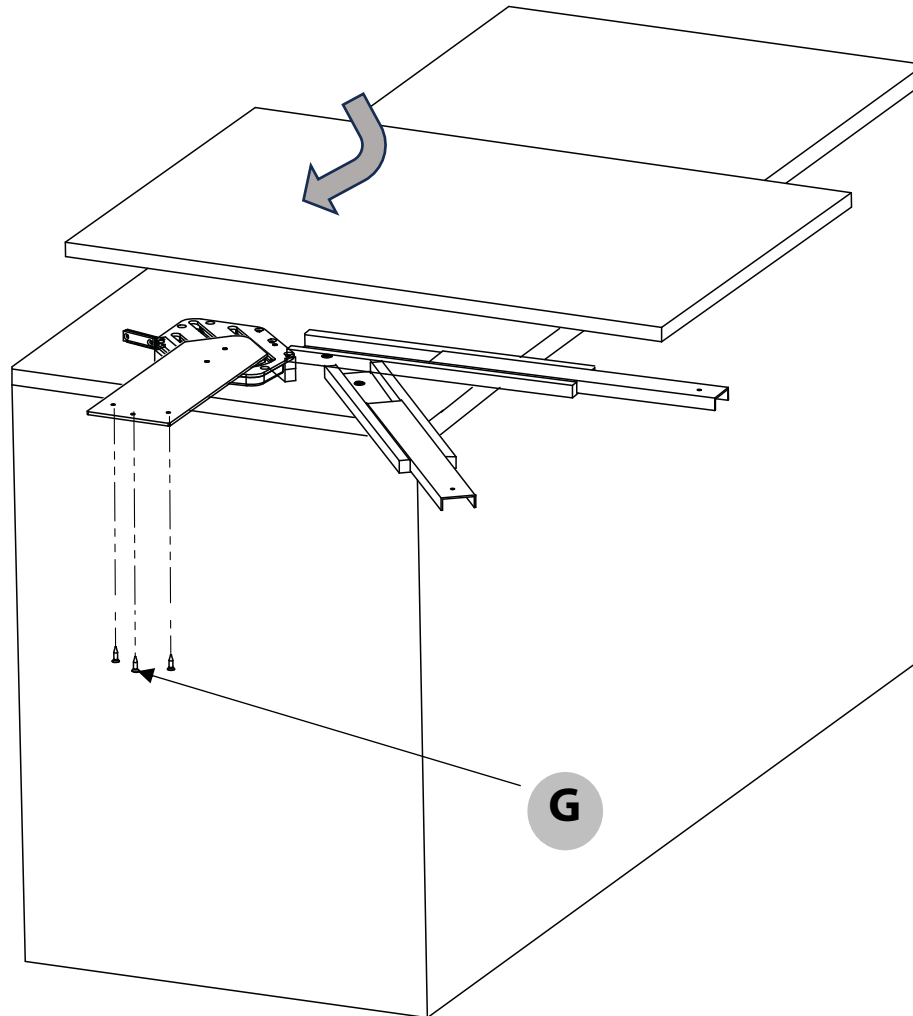
### Step 3



# Step 4

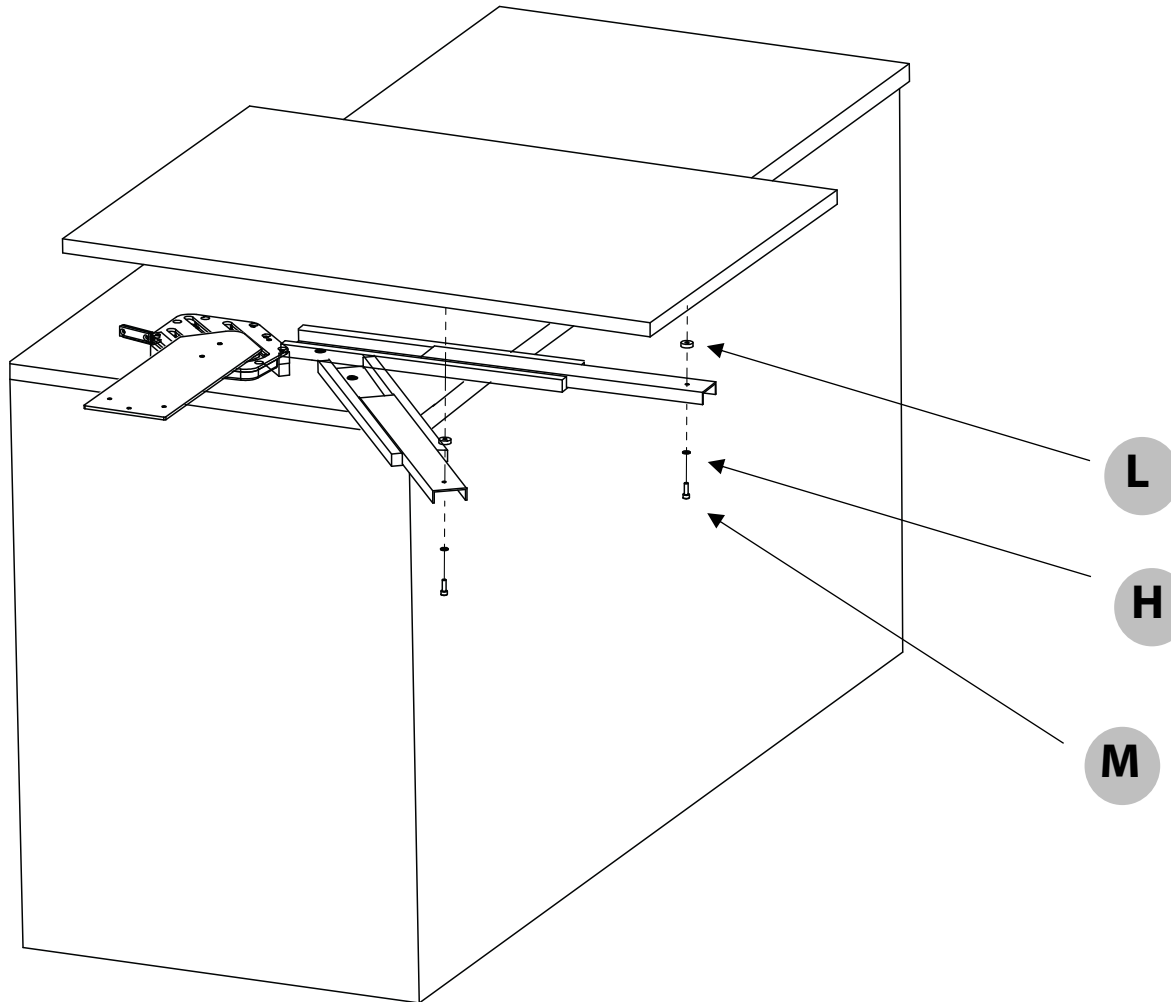


## Step 5



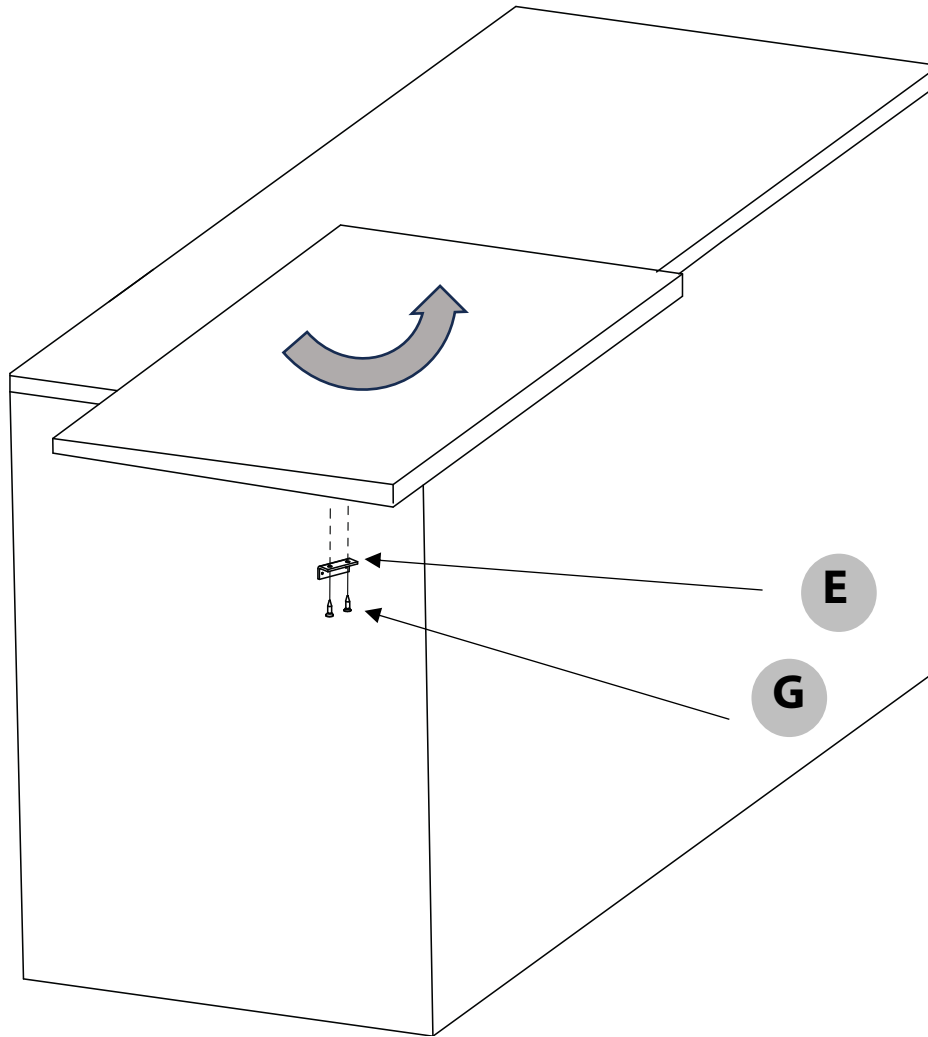
Make sure the moving plate of the mechanism is pointing outwards as shown in the image. Take the upper board and hook the locking plate into the v-shape of the moving plate of the mechanism, fix the 3 screws of the moving plate.

## Step 6





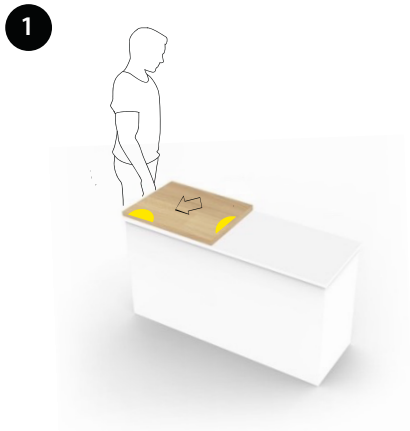
## Step 7



Rotate the upper board by 90 degrees to the right, install the metal angle and your Roto is ready for usage.

## E) Roto Operation

### Opening



## Closing

